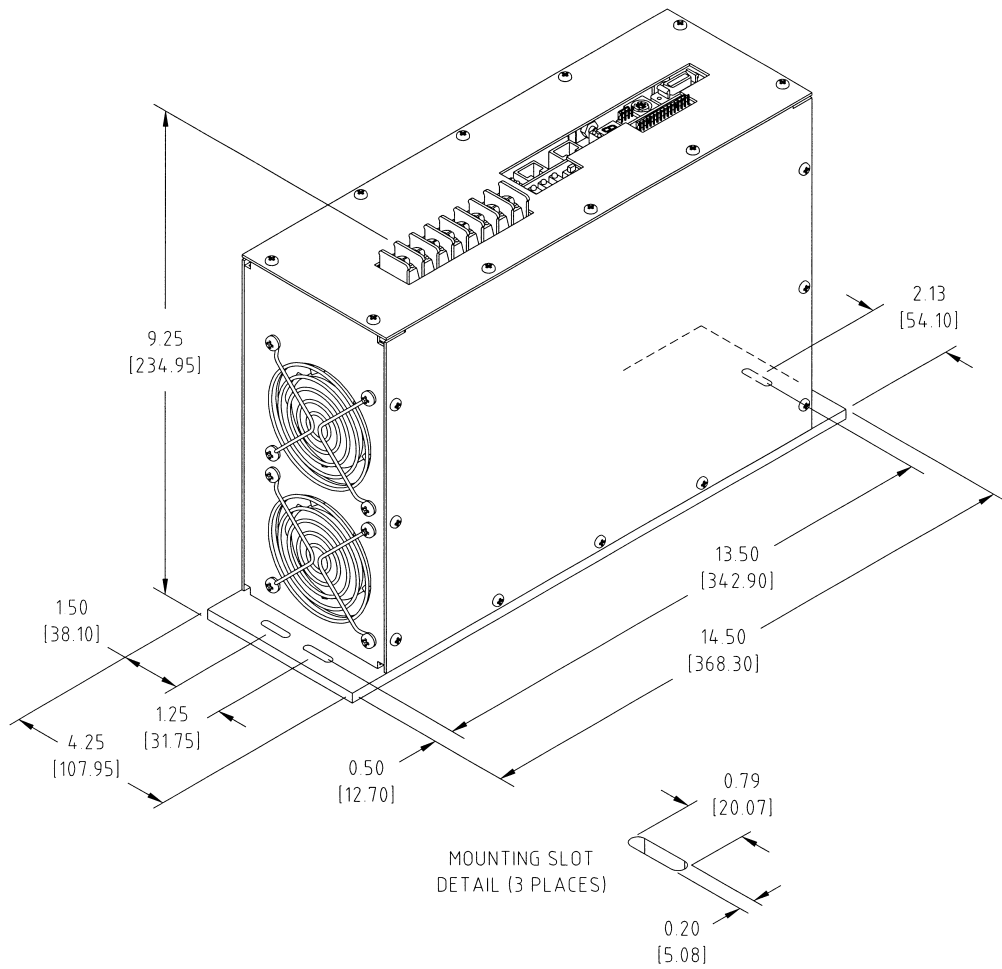


# SYNQNET™ DIGITAL PWM BRUSHLESS SERVO AMPLIFIERS SMA9930-1A-1 STAND ALONE MECHANICAL DIMENSIONS



Glentek, Inc.  
208 Standard Street • El Segundo, California 90245 USA  
(310) 322-3026 • (310) 322-7709 Fax • [www.glentek.com](http://www.glentek.com)