

# ANALOG BRUSHLESS PWM SERVO AMPLIFIERS SMA8315 MULTI AXIS AMPLIFIER MODEL NUMBERING

## ANALOG BRUSHLESS PWM SERVO AMPLIFIERS SMA8315 AMPLIFIER MODEL NUMBERING

This section explains the model numbering system for Glentek's SMA8315 Analog Brushless PWM servo amplifier. The model numbering system is designed so that you, our customer, will be able to quickly and accurately create the model number for the amplifier that best suits your needs. In order to accurately select a complete part number, please choose the industry standard mounting configuration which meets your needs (i.e. Module, 3U Plug-in, Stand-Alone or Multi Axis) and then complete the amplifier configuration code per your requirements.

Note: A complete model number example follows each section and includes a full description of the individual codes which make up the complete model number.

### Multi Axis Model Numbering

**SMA8315XX - \_ - \_ A - \_ - ZZ - RRR**

Amplifier Model Number

Power Rating  
Omit = Standard Power  
HP = High Power

Amplifier Module Configuration  
Code & Optional Custom  
Configuration Code

Maximum number of amplifier  
modules the chassis will hold.  
2 = 2 axis chassis  
4 = 4 axis chassis

Optional Custom  
Configuration Code for  
the Power Supply and  
Regen Circuit

Power Supply Configuration Code  
00 = 110-130 VAC, 1 or 3 Phase  
01 = 208-240 VAC, 1 or 3 Phase  
02 = Special

The total number of amplifier  
modules mounted on the chassis

Example: SMA8315HP - 1C4 - 4A - 3 - 01

High Power

240-340 VDC Module Operation, Type C Motor Temp.,  
+5VDC Logic, Type A Reset, Type C Inhibit,  
2-Phase Current Mode Operation

208-240VAC operation

3 amplifier modules installed

4 axis chassis w/power supply

# ANALOG BRUSHLESS PWM SERVO AMPLIFIERS SMA8315 MULTI AXIS AMPLIFIER MODEL NUMBERING

## LOGIC INPUT CONFIGURATION DESCRIPTION:

There are four logic inputs: Limit+, Limit-, Inhibit and Reset In. They may be configured for active-high or active-low signals and pull-up or pull-down termination (type A, B, C and D). All logic inputs have selectable 0 to +5VDC or 0 to +15VDC range. Following is a description of the various types (A, B, C and D) and how they apply to the inhibit input:

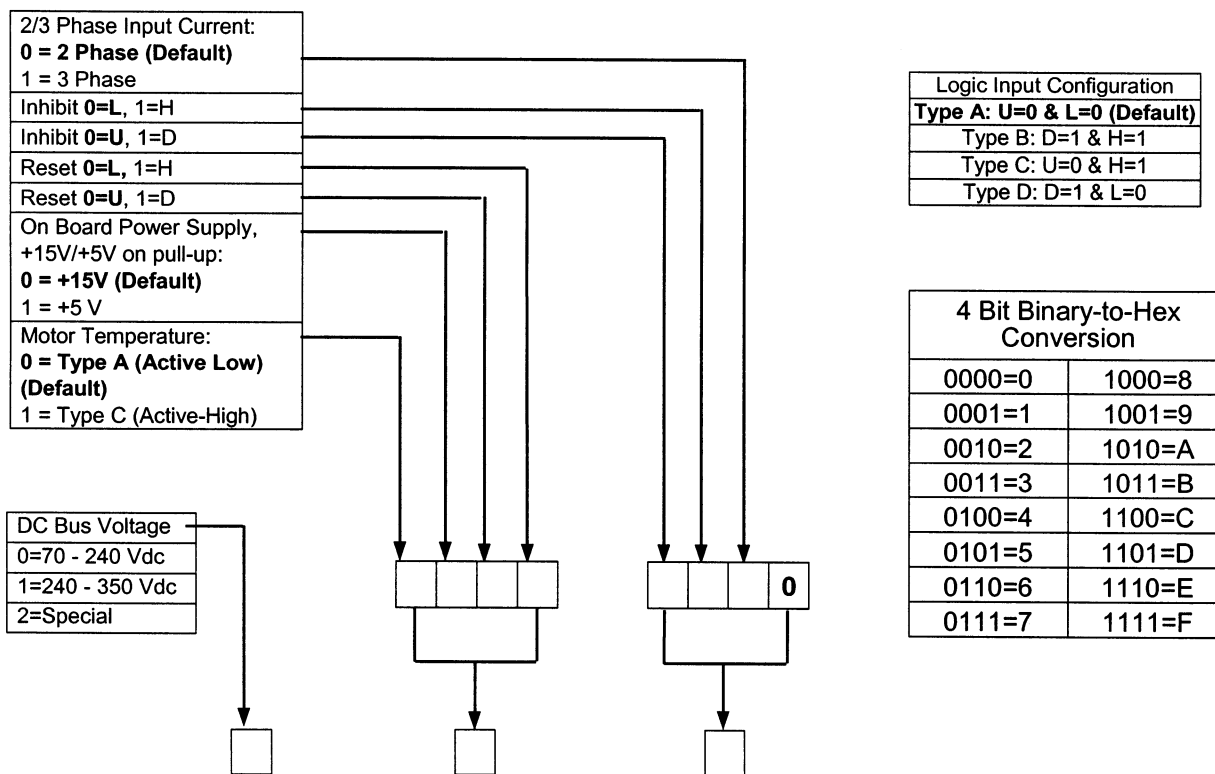
Type "A": Requires grounding of input to disable the amplifier (pull-up, active-low).

Type "B": Requires a positive voltage at input to disable the amplifier (pull-down, active-high).

Type "C": Requires grounding of input to enable the amplifier (pull-up, active-high).

Type "D": Requires a positive voltage at input to enable the amplifier (pull-down, active-low).

### Amplifier Configuration Code



Example: SMA8315 - 104 - 1

240-340VDC Operation, Type A Motor Temp.,  
+15VDC Logic, Type A Reset, Type C Inhibit,  
2-Phase Current Mode Operation

Single amplifier module