

# LINEAR BRUSH SERVO AMPLIFIERS SMA5015 STAND ALONE MODEL NUMBERING

This section explains the model numbering system for Glentek's SMA5015 Series High Performance Linear Brush servo amplifier. The model numbering system is designed so that you, our customer, will be able to quickly and accurately create the model number for the amplifier that best suits your needs.

## *SMA5015 Amplifier Model Numbering*

The following tables are used to fill in the different parts of the model number. Refer to these when constructing a model number for your requirements.

<b><i>PPP</i></b>	<i>Power Supply Tab</i>
000	17 VAC to 50 VAC

<b><i>AAA</i></b>	<i>Amplifier Board Tab</i>	<i>I<sub>c</sub> (Amps continuous)</i>	<i>I<sub>p</sub> (Amps Peak)</i>
000	A and/or C logic for limits, inhibit and reset	10	25
003	B and/or D logic for limits, inhibit and reset		

**Note:** Output power is rated 750 Watts @ 25°C.

### LOGIC INPUT CONFIGURATION DESCRIPTION:

There are four logic inputs: Limit+, Limit-, Inhibit and Reset In. They may be configured for active-high or active-low signals and pull-up or pull-down termination (type A, B, C and D). All logic inputs have selectable 0 to +5VDC or 0 to +15VDC range. Following is a description of the various types (A, B, C and D) and how they apply to the inhibit input:

Type "A": Requires grounding of input to disable the amplifier (pull-up, active-low).

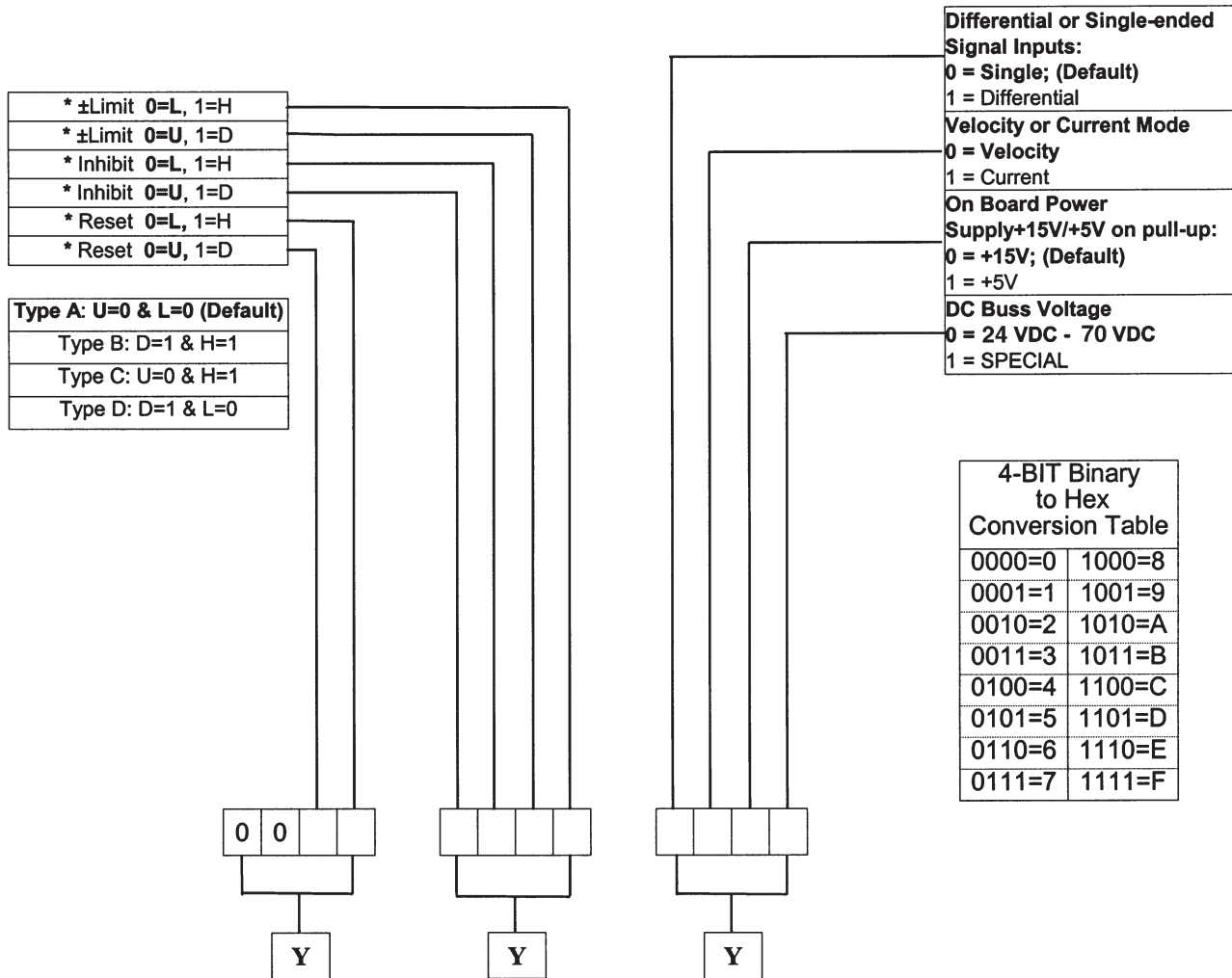
Type "B": Requires a positive voltage at input to disable the amplifier (pull-down, active-high).

Type "C": Requires grounding of input to enable the amplifier (pull-up, active-high).

Type "D": Requires a positive voltage at input to enable the amplifier (pull-down, active-low).

# LINEAR BRUSH SERVO AMPLIFIERS SMA5015 STAND ALONE MODEL NUMBERING

## YYY – Amplifier Configuration Code



- \* Amplifier tab 000 provides input logic for "A" and "C" types only.
- \* Amplifier tab 003 provides input logic for "B" and "D" types only.

# LINEAR BRUSH SERVO AMPLIFIERS SMA5015 STAND ALONE MODEL NUMBERING

## *SMA5015 Stand Alone Amplifier*

**SMA5015 – PPP – AAA – YYY – 1A – 1**

Model number key:

**SMA5015** - Designates a Brush Type Linear Surface Mount Amplifier.

**PPP** - Power Supply tab.

**AAA** - Amplifier board tab.

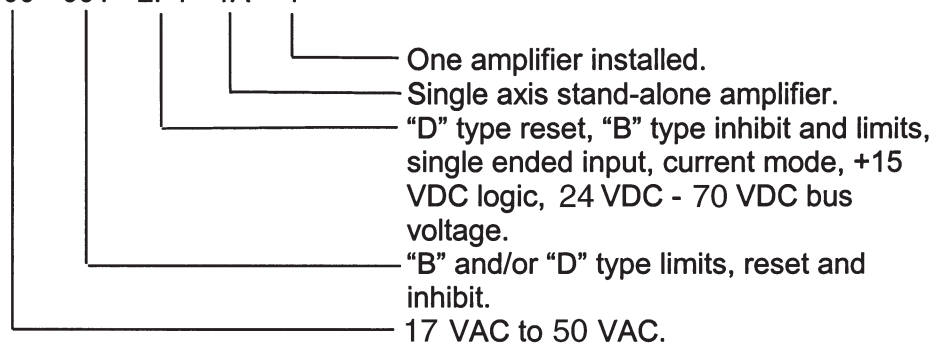
**YYY** - Amplifier configuration code.

**1A** - Mounting Configuration, Single axis.

**1** - Number of amplifiers installed, Single axis.

Example:

SMA5015 - 000 - 001 - 2F4 - 1A - 1



Glentek, Inc.

208 Standard Street • El Segundo, California 90245 USA  
(310) 322-3026 • (310) 322-7709 Fax • [www.glentek.com](http://www.glentek.com)